



INSTALLATION INSTRUCTIONS

Accessory
FULL NOSE MASK

Application
**2014 CIVIC 2-DOOR
AND 2-DOOR (Si)**

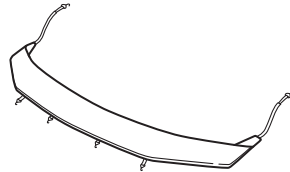
Publications No.
All 50706-50855

Issue Date
JAN 2014

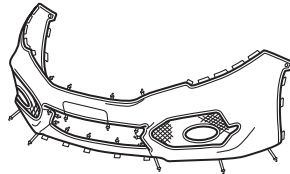
PARTS LIST

Full Nose Mask Kit
P/N 08P35-TS8-100A
P/N 08P35-TS9-100A (Si)

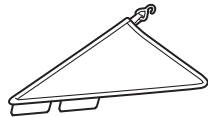
Mask
(hood section)



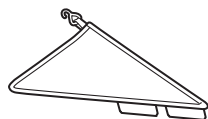
Mask
(bumper section)



Mask
(Left fender section)



Mask
(Right fender section)



2 Snap-screws



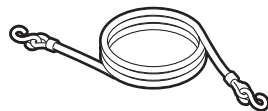
2 Washers



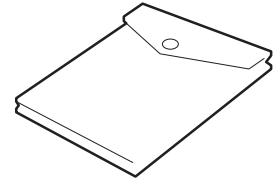
2 Fenderwell nuts



Elastic cord



Storage bag



TOOLS AND SUPPLIES REQUIRED

- Stubby Phillips screwdriver
- Utility knife
- Flat-tip screwdriver
- High-quality paste wax

INSTALLATION

NOTE:

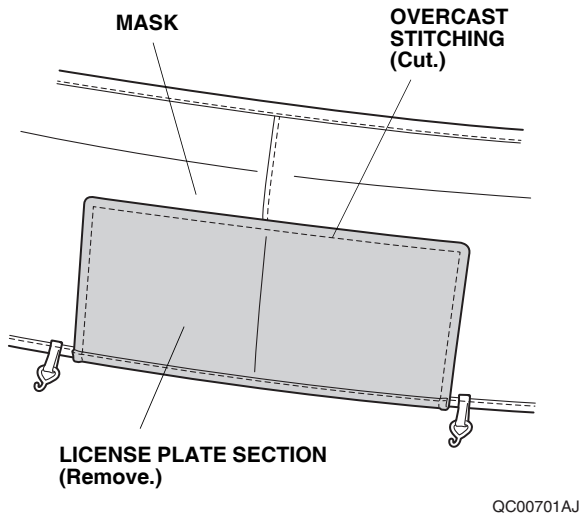
- Make sure the vehicle and the nose mask are clean and completely dry before installation. If moisture under the mask is allowed to dry, it may cloud the paint. If the mask gets wet, remove it and allow it to air-dry completely.
- Make sure any repainted surfaces are cured.
- Wax the hood and nose of the vehicle with a high-quality paste wax.
- Install the nose mask securely. If the nose mask starts to flap or comes loose while driving, safely pull off the highway, stop the vehicle, and secure or remove the mask.

Displaying the Front License Plate

If your state law requires the display of both license plates, cut out the piece of the mask's bumper section that covers the front license plate:

- Face the inside of the bumper section toward you.

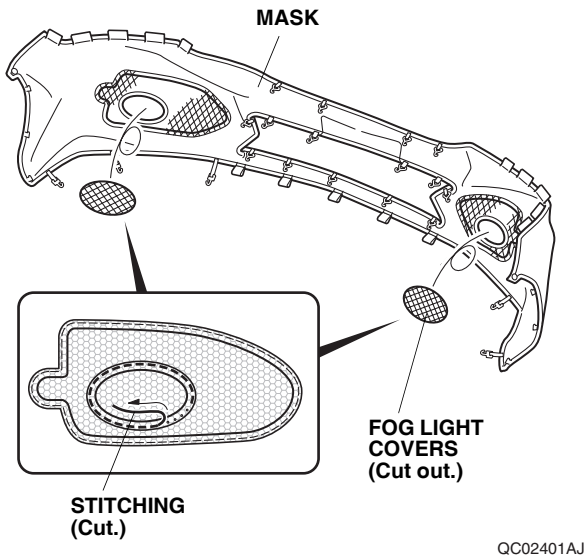
- Carefully cut out the license plate section with utility knife at the top seam, and remove the overcast stitching.



With Fog Lights

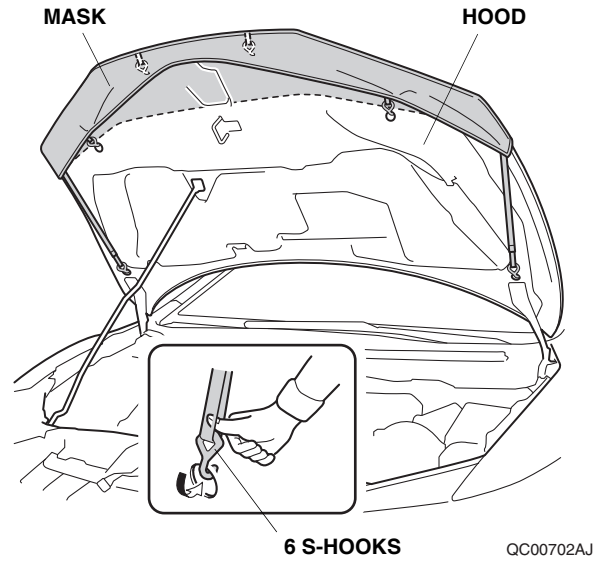
If the vehicle equipped with fog lights, remove the piece of the mask's bumper section that covers the fog lights:

- Face the inside of the mask toward you.
- Carefully cut out the overcast stitching with a utility knife. Remove the stitching and the fog light covers.



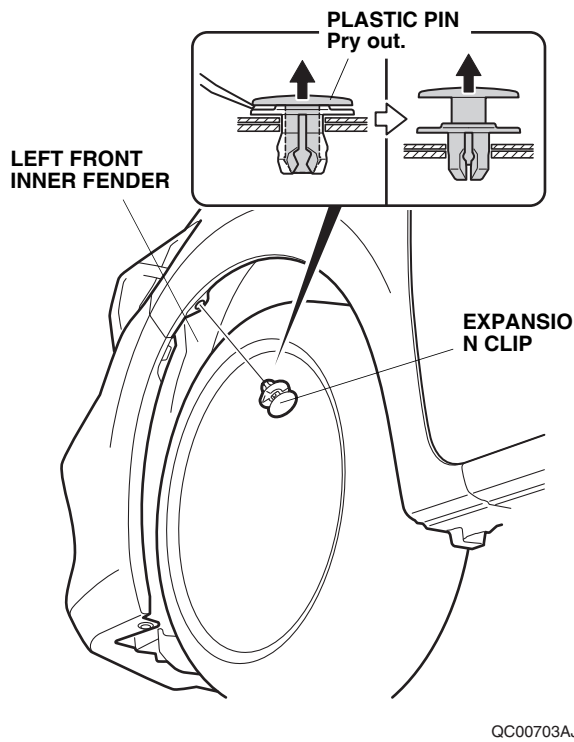
Installing the Hood Section

- Open the hood. Fit the corners of the mask's hood section around the hood, and adjust it so it fits smoothly over the edges. Attach six S-hooks to the hood by inserting your finger into the belt of each hook.



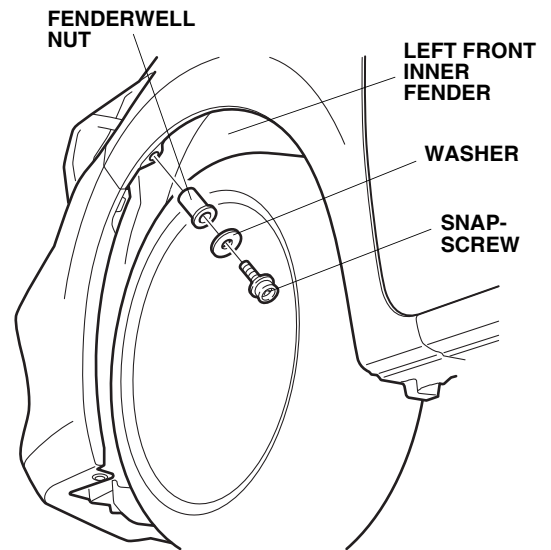
Installing the Bumper Section

- Turn the steering wheel all the way clockwise.



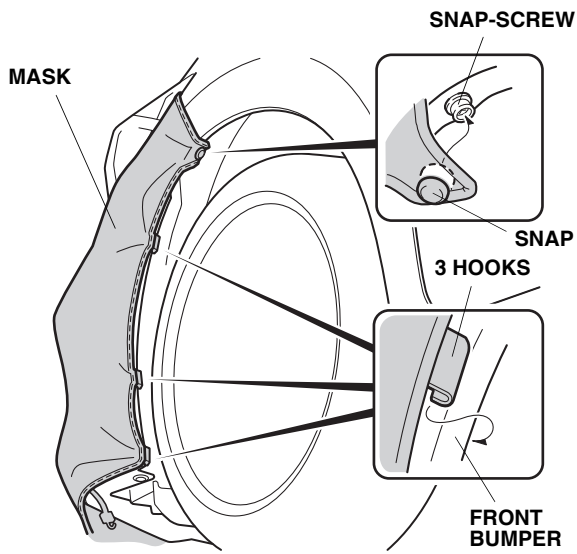
- Pry out the plastic pin of expansion clip, and remove the expansion clip that fastens the left front inner fender. Retain the expansion clip, then clean the area around the hole.

- Press one fenderwell nut (supplied) into the hole in the left fender flange.



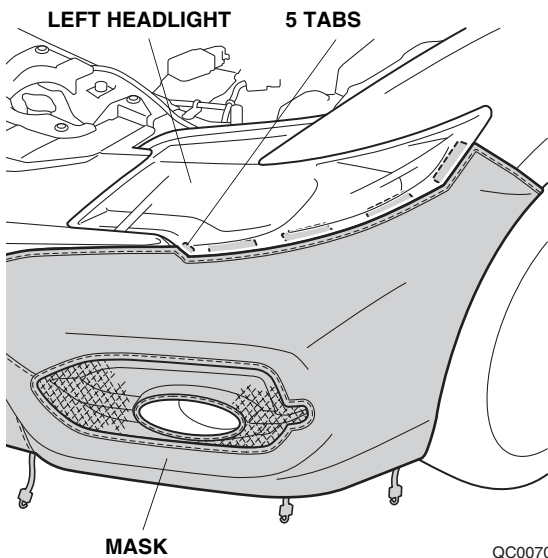
- With a washer in place, securely tighten one snap-screw into the fenderwell nut.
- Turn the steering wheel all the way counterclockwise, and repeat steps 3 through 5 on the right side of the vehicle.

- Pull the mask back toward the fenderwell, smooth out any wrinkles, and then snap the mask onto the snap-screw.



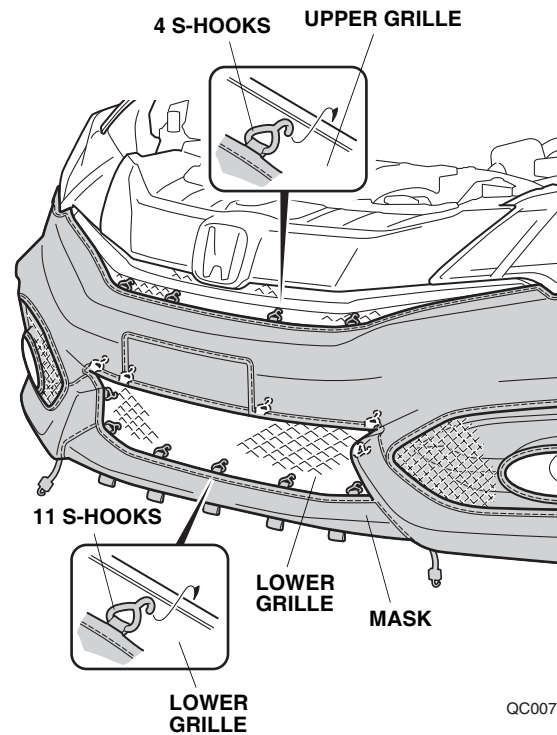
QC00705AJ

- Attach three hooks on the mask to the edge of the front bumper. Repeat on the other side.
- On each side of the vehicle, insert five tabs between the headlight and the front bumper.



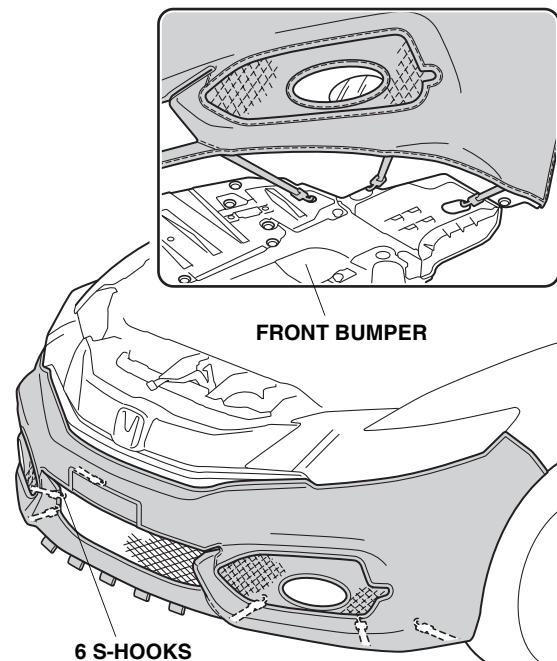
QC00706AJ

- Attach 15 S-hooks to the inside edge of the lower grille opening and upper grille opening.



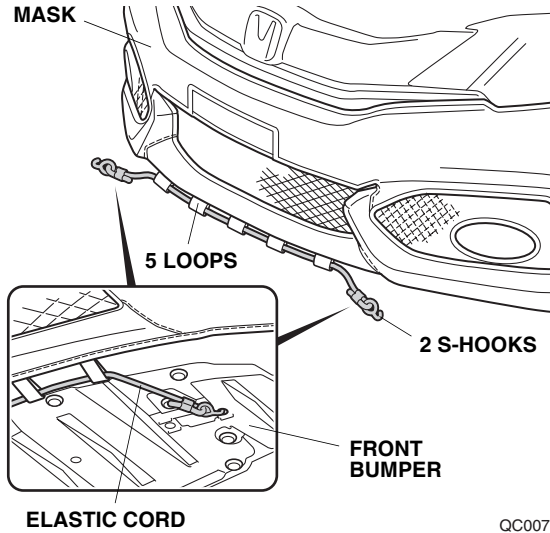
QC00707BJ

- Attach six S-hooks to the bottom of the front bumper.



QC00708AJ

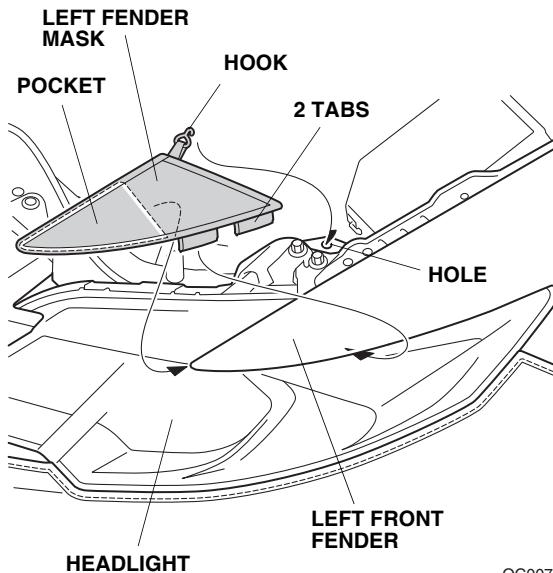
- Route the elastic cord through five loops on the bottom of the mask. Attach one S-hook to the bottom edge of the bumper on one side. Stretch out the cord after routing it through each loop, then attach the other S-hook to the bottom edge of the front bumper on the other side.



QC00709AJ

Installing the Fender Section

- Slip the pocket of the mask's left fender section onto the corners of the left front fender, and attach the hook to the hole in the fender. Insert two tabs between the left front fender and the headlight.



QC00710AJ

- Repeat the same work on the other side.
- Put two expansion clips removed in step 3 into the storage bag, and place in the glove box for future use.

CLEANING THE NOSE MASK

Use a sponge or cloth with a solution of mild liquid dishwashing soap and water to clean the vinyl and the flannel backing. Rinse the mask completely with clean water, and hang it to dry, out of direct sunlight. Make sure the mask is completely dry before you reinstall it.